

Proximity / PIN Time & Attendance / Access Controller

- LX505 : 125KHz (PSK Format/IDC Type) Proximity RF Card or PIN / Password Recognition
- LX505SR : 13.56MHz (MIFARE, ISO14443 Type A Compatible) SMART Card or PIN Recognition



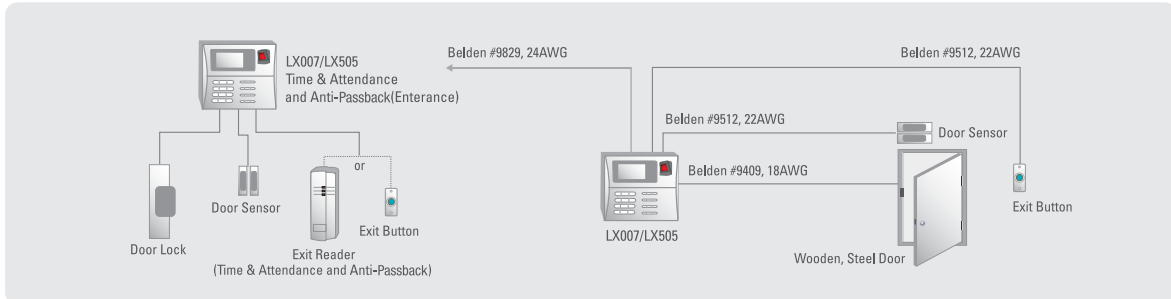
System Features

- Standalone Device with Internally Embedded Controller
- Standalone or Network Operation without Connection to the PC
- Graphic LCD Applied for Multi-Language Display and Voice Guide in Various Languages
- 12 Function Keys for Various T&A Applications (Shift Management, Overtime and etc.)
- Automatic System Reset via Self-Diagnosis (Watchdog Function)
- Anti-Passback Function
- Arm/Disarm Function
- Duress Mode / 2 Men-Operation Function
- Alerts when Door Opening Time Exceeds and Forced Door Open
- Tamper Switch (2EA)
- Serial Port for Printer Connection
- Advanced Security Time Schedule Configuration
- Configuration Setting per ID (Time Schedule, Card Usage Expiration Date, Accessible Reader, Door Opening Time, etc.)
- Allows Registration of 10 Administrator Using the Fingerprint
- Input Status Check Function (3-Status: On/Off/Cut)
- Designed to Withstand ESD (Electro Static Discharge) Shock
- Firmware Upgrade via Remote Control
- User Name and Function Key Defined Display
- Supports 26/34 Bit Wiegand Output Port(Usable to Reader)
- Compatible Software : STARWATCH STANDARD, TIME PRO, TIME BASIC, LX ACCESS PRO II, iDWATCH VIEW PRO, IAD PRO I/II, IAD BASIC I/II

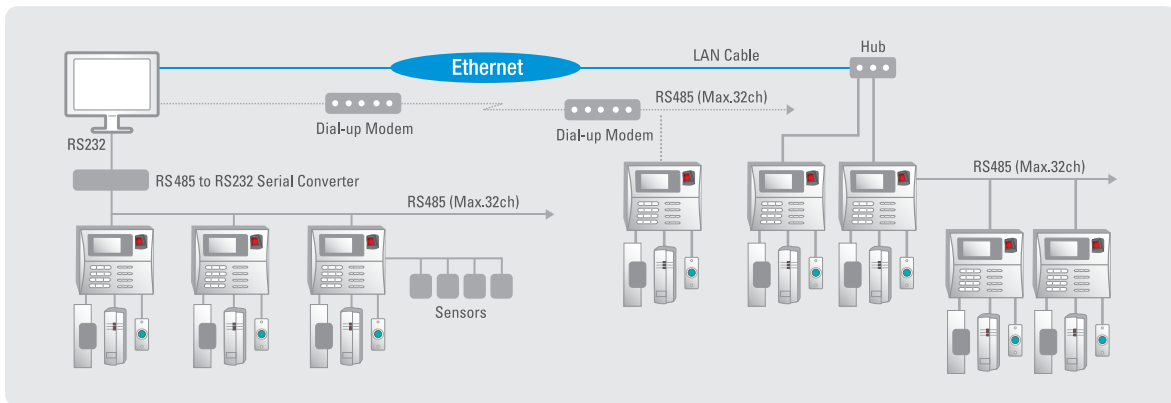
Model		LX505	LX505SR
CPU		8 Bit and 16 Bit Microprocessor	
Memory	Program	256K Byte ROM, 512K Byte SRAM	
	Data	512K Byte Flash Memory	
User IDs / Event Buffers		10,000 ~ 20,000 Users / 10,000 ~ 20,000 Events (Selectable)	
Reading Range		IDC80/IDC170 : Up to 10cm	IHC80 : Up to 5cm / ISC80 : Up to 10cm
Card Reading Time		30ms	
Power / Current		DC12V / Max 550mA	
External Reader Port		1 EA : 26 Bit Wiegand/ 4/8 Bit Burst for PIN for Anti-Passback	1 EA : 34 Bit Wiegand/ 4/8 Bit Burst for PIN for Anti-Passback
Communication		RS232/RS485(Max. 32ch), Ethernet(Internal Module or External Converter Required/Optional)	
Communication Speed	Serial	57,600 bps (Default) / 9,600 bps / 19,200 bps / 38,400 bps (Selectable)	
	Ethernet	10/100Mbps	
Input Port		4 EA : Exit Button, Door Sensor, AUX #1, AUX #2,	
Output Port		2 EA : 2 FORM-C Relay Output (COM, NO, NC) / DC 12V ~ 18V, Rating Max. 2A 2 EA:TTL Output / DC5V, Rating Max. 20mA Can be used in 26 Bit Wiegand, using the 2 TTL Outputs Can be used in 34 Bit Wiegand, using the 2 TTL Outputs	
Language	LCD Display	Basic : English, Korean, Chinese, Spanish Arabic	
	Voice Output	Selectable : French, Italian, Russian, German, Thai	
LED Display / Buzzer		3 LED Indicators / Piezo Buzzer	
LCD		Graphic LCD(128x64 dots) 72.5x39.5mm (2.85"x1.56")Screen	
Keypad		24 Numeric Keypad with Back Lightings (Includes 12 Function Keys)	
Operating Temperature	LCD	0° ~ +50°C	
	Controller	-15° ~ +70°C	
	RF Reader	-35° ~ +65°C	
Operating Humidity		10% ~90% Relative Humidity Non-Condensing	
Color / Material		Black, Red Wine, Silver, Dark Gray, Black & Gold / Polycarbonate	
Dimension(W x H x T) / Weight		192 x 160 x 45mm / 750g	
Certification		FCC, CE, KCC, RoHS	
Time Schedule			
Time Code	10	Holiday Code	10
Time Interval	5	Holiday	100

LX007/LX505 Series

- Standalone Configuration

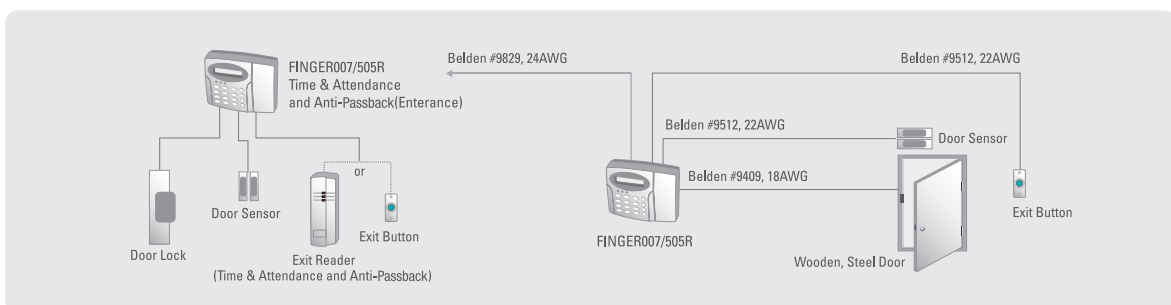


- Network Configuration



FINGER007/505R Series

- Standalone Configuration



- Network Configuration

