

Fingerprint Identification (Proximity / PIN) Time & Attendance/Access Controller

- LX007 : 125KHz (PSK Format/IDC Type) Proximity RF Card or PIN / Password / Fingerprint Recognition
- LX007SR : 13.56MHz (MIFARE, ISO14443 Type A Compatible) SMART Card or PIN / Password / Fingerprint Recognition



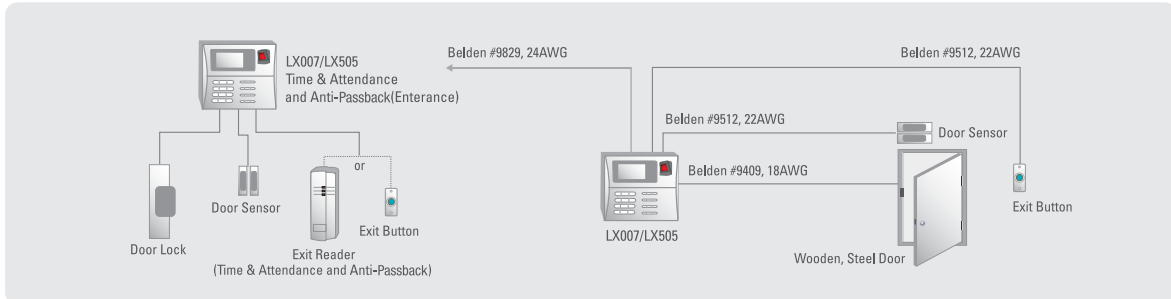
System Features

- Standalone Device with Internally Embedded Controller
- Standalone or Network Operation without Connection to the PC
- Graphic LCD Applied for Multi-Language Display and Voice Guide in Various Languages
- 12 Function Keys for Various T&A Applications (Shift Management, Overtime and etc.)
- User Name and Function Key Definition Display
- Automatic System Reset via Self-Diagnosis(Watchdog Function)
- Anti-Passback Function
- Arm/Disarm Function
- Duress Mode / 2 Men-Operation Function
- Alerts when Door Opening Time Exceeds and Forced Door Open
- Tamper Switch (2EA)
- Serial Port for Printer Connection
- Advanced Security Time Schedule Configuration
- Configuration Setting per ID (Time Schedule, Card Usage Expiration Date, Accessible Reader, Door Opening Time, etc.)
- Allows Registration of 10 Administrator Using the Fingerprint
- 3-Status Input Check (On/Off/Cut)
- Designed to Withstand ESD (Electro Static Discharge) Shock
- Firmware Upgrade via Remote Control
- Supports 26/34 Bit Wiegand Output Port(Usable to Reader)
- Compatible Software : STARWATCH STANDARD, TIME PRO, TIME BASIC, LX ACCESS PRO II, iDWATCH VIEW PRO, IAD PRO I/II, IAD BASIC I/II

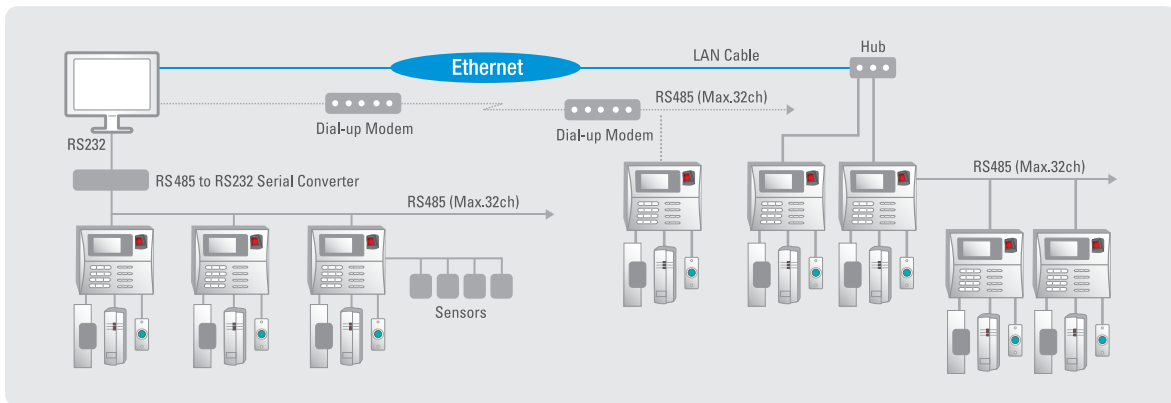
Model		LX007	LX007SR
CPU		32 Bit ARM9, 8 Bit and 16 Bit Microprocessor	
Memory	Fingerprint Module	Program	128K Byte ROM, 8M Byte SDRAM
	Controller	Data	2M Byte / 2+4M Byte Flash Memory
		Program	256K Byte ROM, 512K Byte SDRAM
		Data	512K Byte Flash Memory
Fingerprint Registration		1,000 / 2,000 / 4,000	
User IDs / Event Buffers		10,000 - 20,000 Users(Including Fingerprint Registration)/10,000 - 20,000 Events(Selectable)	
Fingerprint Template Size		800 Byte for Two Fingerprints	
Reading Range		IDC80/IDC170 : Up to 10cm	IHC80 : Up to 5cm / ISC80 : Up to 10cm
Card Reading Time		30ms	
1:1 Verification/1:N Identification Time(Fingerprint)		Less than 1 Sec. / Less than 2 Sec.	
Power / Current		DC12V / Max. 650mA	
External Reader Port		1 EA : 26 Bit Wiegand, 4/8 Bit Burst for PIN for Anti-Passback	1 EA : 34 Bit Wiegand, 4/8 Bit Burst for PIN for Anti-Passback
Communication		RS232/RS485(Max. 32ch), Ethernet	
Communication Speed	Serial	57,600 bps (Default) / 9,600 bps / 19,200 bps / 38,400 bps (Selectable)	
	Ethernet	10/100 Mbps	
Input Port		4 EA : Exit Button, Door Sensor, AUX #1, AUX #2,	
Output Port		2 EA : 2 FORM-C Relay Output(COM, NO, NC)/DC 12V-18V, Rating Max. 2A 2 EA:TTL Output/DC5V, Rating Max. 20mA Can be used in 26 Bit Wiegand, using the 2 TTL Outputs Can be used in 34 Bit Wiegand, using the 2 TTL Outputs	
Language	LCD Display	Basic : English, Korean, Chinese, Spanish Arabic	
	Voice Output	Selectable : French, Italian, Russian, German, Thai	
LED Display / Buzzer		3 LED Indicators / Piezo Buzzer	
LCD		Graphic LCD(128x64 dots) 72.5x39.5mm (2.85"x1.56")Screen	
Keypad		24 Numeric Keypad with Back Lightings (Includes 12 Function Keys)	
Operating Temperature	Fingerprint Module LCD	-15° ~ +40°C / 0° ~ +50°C	
	Controller/RF Reader	-15° ~ +70°C / -35° ~ +65°C	
Operating Humidity		10% ~90% Relative Humidity Non-Condensing	
Color / Material		Black, Red Wine, Silver, Dark Gray, Black & Gold / Polycarbonate	
Dimension (W x H x T) / Weight		192 x 160 x 45mm / 800g	
Certification		FCC, CE, KCC, RoHS	
Fingerprint Module Specification			
Resolution		500dpi	
Capture Image Size/Extract Image Size		640 x 480 pixels / 260 x 300 pixels	
Sensor Area / Scanner		15 x 18.5mm / High Quality Optical Sensor	
FAR(False Acceptance Ratio)/FRR(False Reject Ratio)		0.001% / 0.1%	
ESD Tolerance		±8 KV	
Time Schedule			
Time Code	10	Holiday Code	10
Time Interval	5	Holiday	100

LX007/LX505 Series

- Standalone Configuration

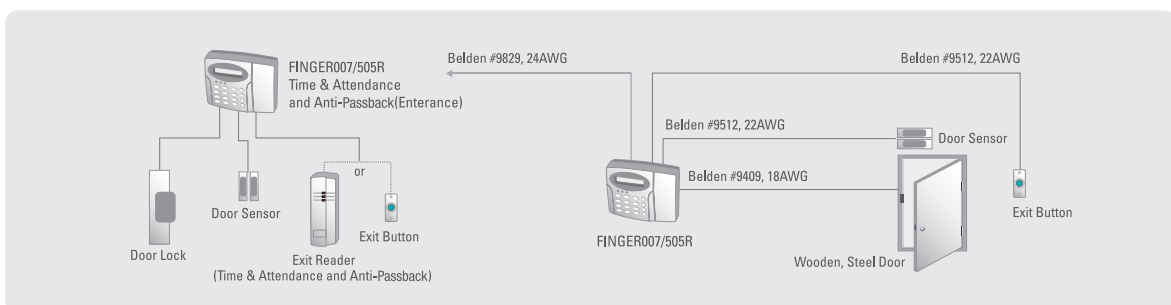


- Network Configuration



FINGER007/505R Series

- Standalone Configuration



- Network Configuration

