

125KHz Fingerprint Identification Proximity Reader

- FGR006 : 125KHz (PSK Format/IDC Type) Proximity RF Card / Fingerprint Recognition
- IP-FGR006 : 125KHz (ASK [EM] Format) Proximity RF Card / Fingerprint Recognition



System Features

- Identification Method : RF, Fingerprint, RF+Fingerprint
- User Registration and Deletion Using the Master Card
- Fingerprint Template Upload/Download via Laptop (Optional RS232 Stereo Jack Required)
- Designed to Withstand ESD (Electro Static Discharge) Shock
- Firmware Upgrade via Remote Control
- Tamper Switch (1 EA)
- Reverse Polarity Protection
- Supervisory Signal Transmission for Device Operation Status Check (Optional)



Upload / Download Fingerprints using Laptop



Model		FGR006	IP-FGR006
CPU		32 Bit ARM9, Dual 8 Bit Microprocessor	
Memory	Fingerprint Module	Program	1M Byte Flash Memory
		Data	1M Byte / 2M Byte / 4M Byte Flash Memory
	Controller	Program	128K Byte Flash Memory
		Data	256K Byte Flash Memory, 4K Byte SRAM
Fingerprint Registration		1,000 / 2,000 / 4,000 Users	
Fingerprint Template Size		800 Byte for 2 Fingerprints	
Reading Range		IDC80 / IDC170:Up to 10cm	IPC80 / IPC170:Up to 10cm
Card Reading Time		30ms	
1:1 Verification / 1:N Identification Time		Less than 1 Sec. / Less than 2 Sec.	
Power / Current		DC12V / Max 250mA	
Communication		RS232/RS422/RS485(Max. 32ch), Ethernet(External Ethernet Converter Required/Optional)	
Communication Speed	Serial	9,600 bps (Default) / 4,800 bps / 19,200 bps / 38,400 bps (Selectable)	
	Ethernet	10/100Mbps	
Input Port		2 EA : External LED Control Input, External Buzzer Control Input	
Output Port		3 EA : Error-Output, OK-Output, Tamper-Output (Open Collector)	
Output Type		26 Bit Wiegand (Default), ABA Track II (Selectable)	
LED Display / Buzzer		3 LED Indicators / Piezo Buzzer	
Operating Temperature		-20° ~ +60°C	
Operating Humidity		10% ~90% Relative Humidity Non-Condensing	
Color / Material		Dark Pearl Gary / Polycarbonate	
Dimension (W x H x T) / Weight		66 x 129 x 52mm / 259.5g	
Certification		FCC, CE, KCC, RoHS	
Fingerprint Module Specification			
Resolution		500dpi	
Capture Image Size/Extract Image Size		640 x 480 pixels / 260 x 300 pixels	
Sensor Area / Scanner		15 x 18.5 mm / High Quality Optical Sensor	
FAR(False Acceptance Ratio)/FRR(False Reject Ratio)		0.001% / 0.1%	
ESD Tolerance		±8 KV	

13.56MHz Fingerprint Identification Proximity Reader



- FGR006SR : 13.56MHz (MIFARE, ISO14443 Type A Compatible) SMART Card / Fingerprint Recognition
- FGR006SRB : 13.56MHz Fingerprint Stored 13.56MHz MIFARE SMART Card / Fingerprint Recognition

제품특징

- Identification Method : RF, Fingerprint, RF+Fingerprint
- User Registration and Deletion Using the Master Card
- Fingerprint Template Upload/Download via Laptop (Optional RS232 Stereo Jack Required)
- Designed to Withstand ESD (Electro Static Discharge) Shock
- Firmware Upgrade via Remote Control
- Tamper Switch (1 EA)
- Reverse Polarity Protection
- Supervisory Signal Transmission for Device Operation Status Check (Optional)

* FGR006SRB

- Identifies Card that has been issued by PRG2000B Card Programmer (ID and Fingerprint Template Encrypted into Smart Card)
 - 4K MIFARE CARD: Stores up to 4 Fingerprint Templates
 - 1K MIFARE CARD: Stores 1 Fingerprint Template
- Maintains High Security as the Card cannot be Duplicated without Data Sector and Secure Key Information
- Protects User Privacy as Encrypted Fingerprint Information is Stored in User's Card (Fingerprint Information is not Stored in the Device or Database)

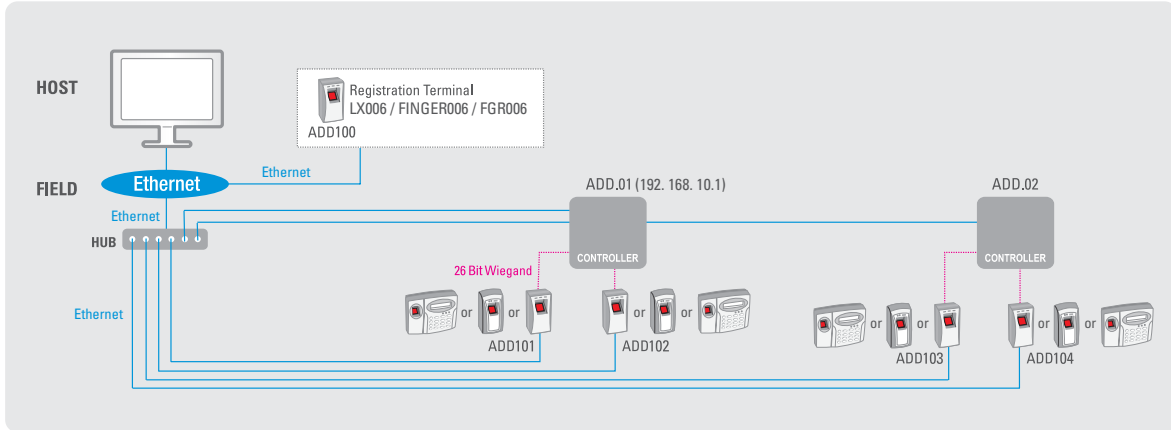


Model		FGR006SR	FGR006SRB
CPU		32 Bit ARM9, Dual 8 Bit Microprocessor	
Memory	Fingerprint Program	1M Byte Flash Memory	
	Module Data	1M Byte / 2M Byte / 4M Byte Flash Memory	
	Controller Program	128K Byte Flash Memory	
	Data	256K Byte Flash Memory, 4K Byte SRAM	
Fingerprint Registration		1,000 / 2,000 / 4,000 Users	Unlimited Fingerprint Users (Depending on the Registered ID Numbers of the Controller)
Fingerprint Template Size		800 Byte for 2 Fingerprints	
Reading Range		IHC80 : Up to 5cm ISC80 : Up to 10cm	Recognizes Cards Issued by PRG2000B
Card Reading Time		30ms	500ms
1:1 Verification / 1:N Identification Time		Less than 1 Sec. / Less than 2 Sec.	Less than 2 Sec.
Power / Current		DC12V / Max 250mA	
Communication		RS232/ RS422/ RS485 (Max. 32ch), Ethernet (External Ethernet Converter Required / Optional)	RS232, Ethernet (External Ethernet Module Required / Optional)
Communication	Serial	9,600 bps (Default) / 4,800 bps / 19,200 bps / 38,400 bps (Selectable)	
Speed	Ethernet	10/100Mbps	
Input Port		2 EA : External LED Control Input, External Buzzer Control Input	
Output Port		3 EA : Error-Output, OK-Output, Tamper-Output (Open Collector)	
Output Type		34 Bit Wiegand(Default), ABA Track II(Selectable)	26 Bit Wiegand
LED Display / Buzzer		3 LED Indicators / Piezo Buzzer	
Operating Temperature		-20° ~ +60°C	
Operating Humidity		10% ~90% Relative Humidity Non-Condensing	
Color / Material		Dark Pearl Gary / Polycarbonate	
Dimension (W x H x T) / Weight		66 x 129 x 52mm / 259.5g	
Certification		FCC, CE, KCC, RoHS	
Fingerprint Module Specification			
Resolution		500dpi	
Capture Image Size/Extract Image Size		640 x 480 pixels / 260 x 300 pixels	
Sensor Area / Scanner		15 x 18.5 mm / High Quality Optical Sensor	
FAR(False Acceptance Ratio)/FRR(False Reject Ratio)		0.001% / 0.1%	
ESD Tolerance		±8 KV	

SignTech- Colombia
www.signtechbiometric.com
info@signtechbiometric.com
 Tel: (578) 515 0472

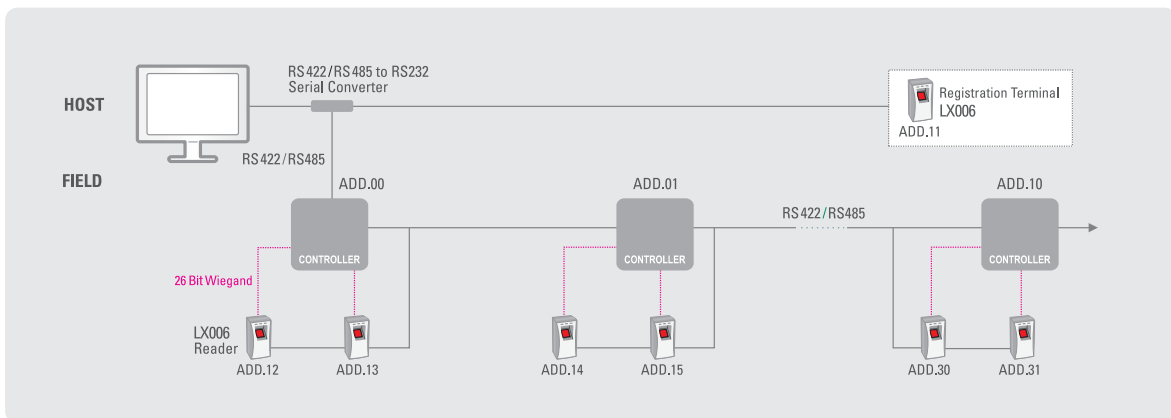
LX006 / FINGER006 / FGR006 Series

- Ethernet Communication

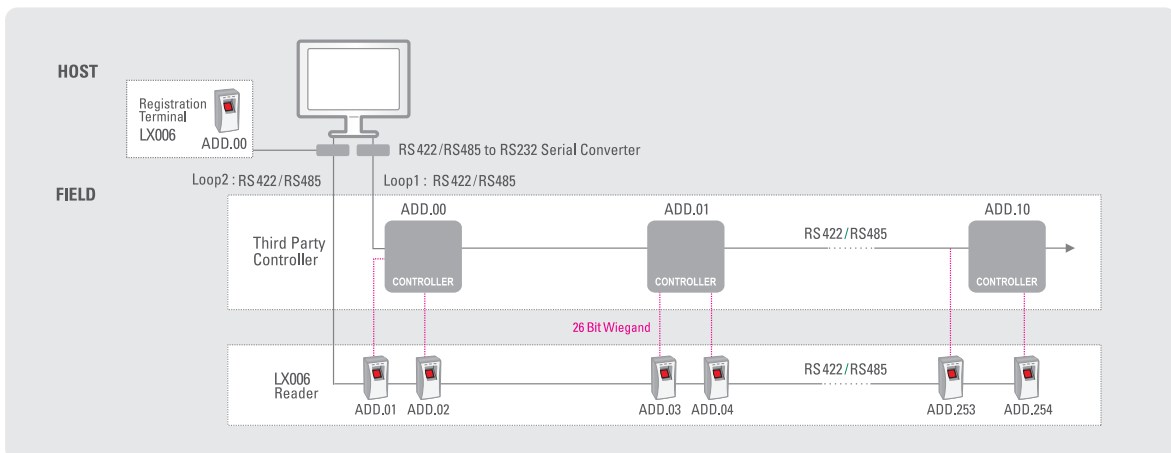


LX006 Series

- Connect IDTECK Controller with Fingerprint Reader (Serial Communication)

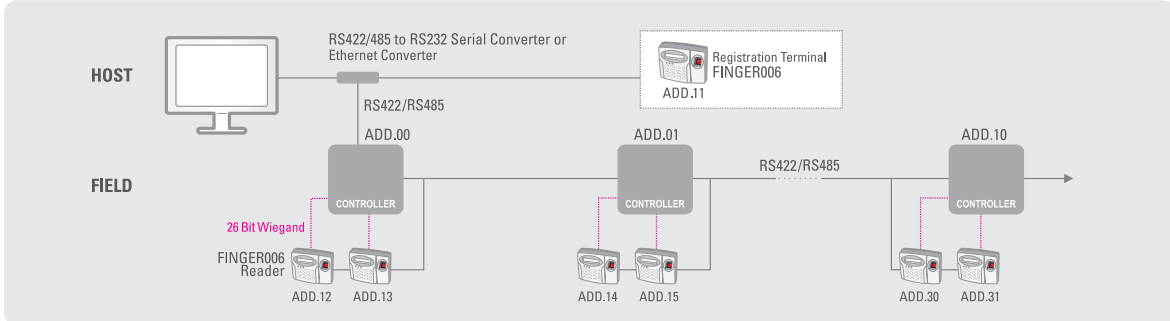


- Connect Third Party Controller with Fingerprint Reader (Serial Communication)

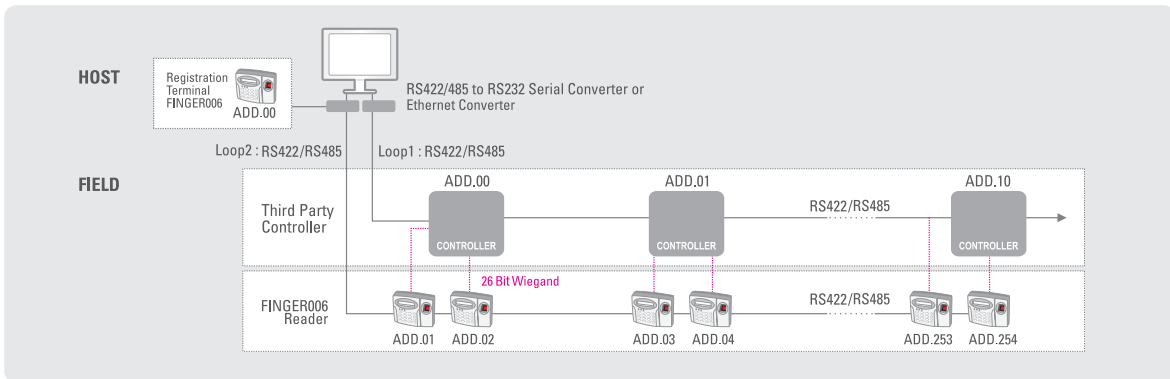


FINGER006 Series

- Connect IDTECK Controller with Fingerprint Reader (Serial Communication)

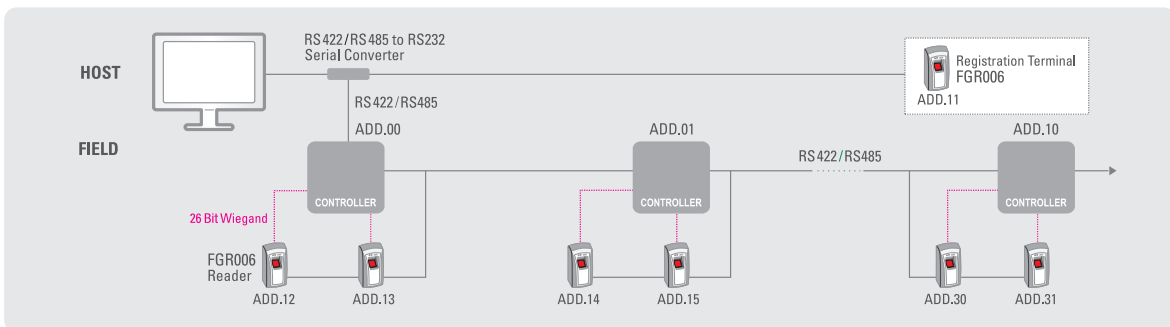


- Connect Third Party Controller with Fingerprint Reader (Serial Communication)



FGR006 Series

- Connect IDTECK Controller with Fingerprint Reader (Serial Communication)



- Connect Third Party Controller with Fingerprint Reader (Serial Communication)

