

# Proximity / PIN Time & Attendance / Access Controller



- 505R : 125KHz (PSK Format/IDC Type) Proximity RF Card or PIN / Password Recognition
- IP505R : 125KHz (ASK [EM]Format) Proximity RF Card or PIN / Password Recognition
- SR505 : 13.56MHz (MIFARE, ISO14443 Type A Compatible) SMART Card or PIN / Password Recognition
- SR505B : Fingerprint Stored 13.56MHz MIFARE SMART Card or PIN / Password Recognition

## System Features

- Standalone Device with Internally Embedded Controller
- Standalone or Network Operation without Connection to the PC
- Automatic System Reset via Self-Diagnosis (Watchdog Function)
- Anti-Passback Function
- Duress Mode Function
- Alerts when Door Opening Time Exceeds and Forced Door Open
- Tamper Switch (2EA)
- Time Display on LCD
- 3-Status Input Check (On/Off/Cut)
- Designed to Withstand ESD (Electro Static Discharge) Shock
- Firmware Upgrade via Remote Control
- Supports 26/34 Bit Wiegand Output Port(Usable to Reader)
- Compatible Software: STARWATCH STANDARD, TIME PRO, TIME BASIC, DUAL PRO I/II, iDWATCH VIEW PRO

### \* SR505B

- Identifies Card that has been Issued by PRG2000B Card Programmer (ID and Fingerprint Template Encrypted into Smart Card)
- Maintains High Security as the Card cannot be Duplicated without Data Sector and Secure Key Information
- Protects User Privacy as Encrypted Fingerprint Information is Stored in User's Card (Fingerprint Information is not Stored in the Device or Database)

Model	505R	IP505R	SR505	SR505B
CPU	Dual 8 Bit Microprocessor			
Memory	Program			
	128K Byte Flash Memory			
Memory	Data			
	1M Byte Flash Memory			
User IDs / Event Buffers	10,000 ~ 50,000 Users / 10,000 ~ 50,000 Events			
Reading Range	IDC80/ IDC170	IPC80/ IPC170	IHC80 : Up to 5cm	
	: Up to 10cm	: Up to 10cm	ISC80 : Up to 10cm	
Card Reading Time	30ms			
Power / Current	DC12V / Max 150mA			
External Reader Port	1 EA:26 Bit Wiegand		1 EA:34 Bit Wiegand	1 EA:26 Bit Wiegand
	4/8 Bit Burst for PIN		4/8 Bit Burst for PIN	4/8 Bit Burst for PIN
Communication	RS232/RS422(Max. 32ch), Ethernet(Internal Module or External Converter Required/Optional)			
Communication	Serial			
Speed	9,600 bps(Default)/ 19,200 bps/ 38,400 bps/ 57,600 bps/ 115,200 bps(Selectable)			
	Ethernet			
Input Port	10/100Mbps			
Input Port	4 EA : Exit Button, Door Sensor, AUX #1, AUX #2,			
Output Port	2 EA : 2 FORM-C Relay Output (COM, NO, NC) / DC 12V ~ 18V, Rating Max. 2A			
	2 EA:TTL Output / DC5V, Rating Max. 20mA			
	Can be used in 26 Bit Wiegand, using the 2 TTL Outputs	Can be used in 34 Bit Wiegand, using the 2 TTL Outputs	Can be used in 34 Bit Wiegand, using the 2 TTL Outputs	
LED Display / Buzzer	7 LED Indicators / Piezo Buzzer			
LCD	Character LCD (2 Lines x 16 Char) / 65.6 x 13.8 mm (2.62" x 0.55") Screen			
Keypad	16 Numeric Keypad with Back Lightings			
Operating Temperature	LCD	0 ° ~ + 50 ° C		
	Controller	-15 ° ~ + 70 ° C		
	RF Reader	-35 ° ~ + 65 ° C		
Operating Humidity	10% ~ 90% Relative Humidity Non-Condensing			
Color / Material	Dark Pearl Gary / Polycarbonate			
Dimension (W x H x T) / Weight	150 x 120 x 39.5mm / 400g			
Certification	FCC, CE, KCC, RoHS			

### Time Schedule

Time Code	10	Holiday Code	10
Time Interval	5	Holiday	32

## Time & Attendance System Package



505R (1 EA) Cable (1 EA)



Management Software (1 EA)



Adaptor (1 EA) (AC110/220V, DC 12V, 1A)

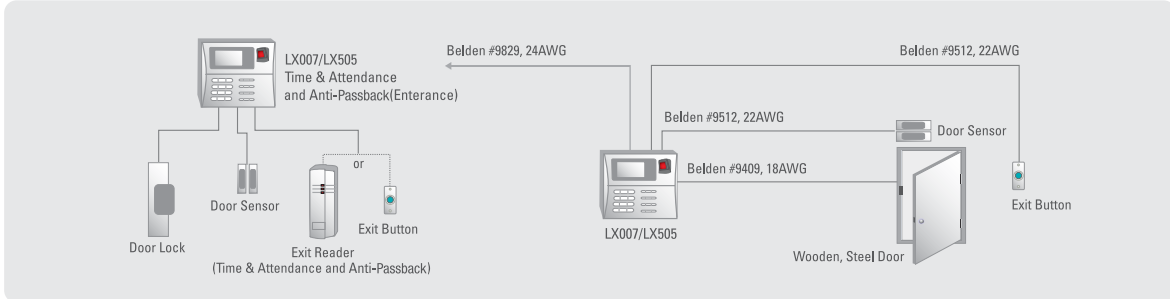


IDC80 Card (5 EA)

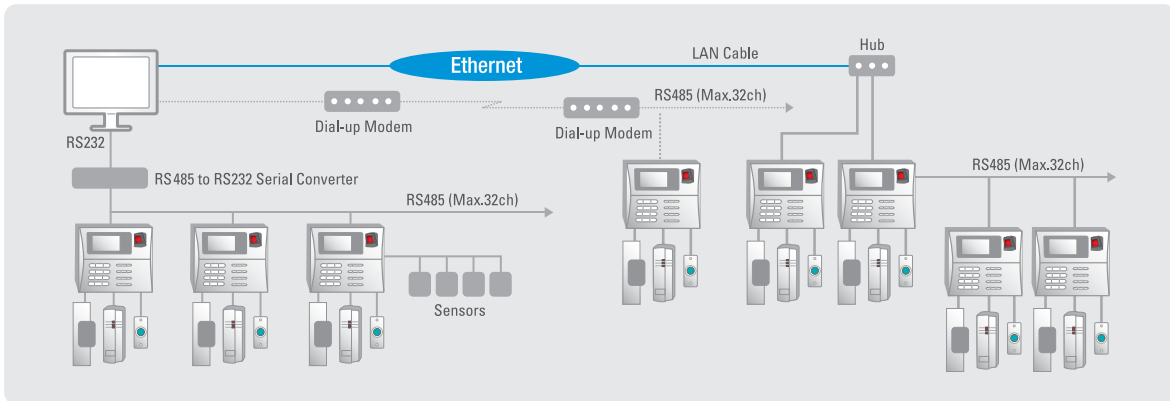
SignTech- Colombia  
[www.signtechbiometric.com](http://www.signtechbiometric.com)  
[info@signtechbiometric.com](mailto:info@signtechbiometric.com)  
 Tel: (578) 515 0472

## LX007/LX505 Series

· Standalone Configuration

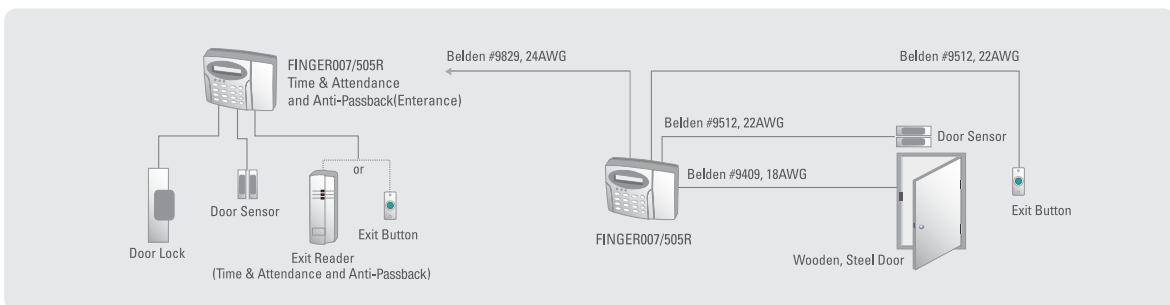


· Network Configuration



## FINGER007/505R Series

· Standalone Configuration



· Network Configuration

